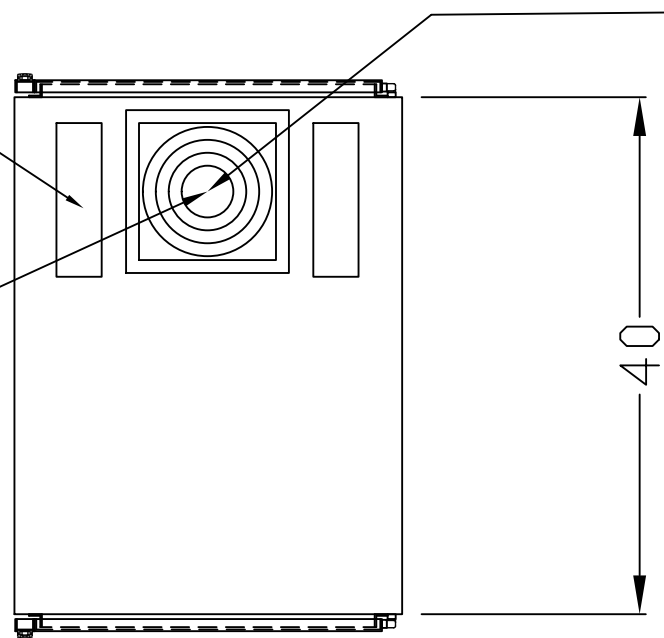


20 AMP 120VAC POWER
FILTER PACK X2

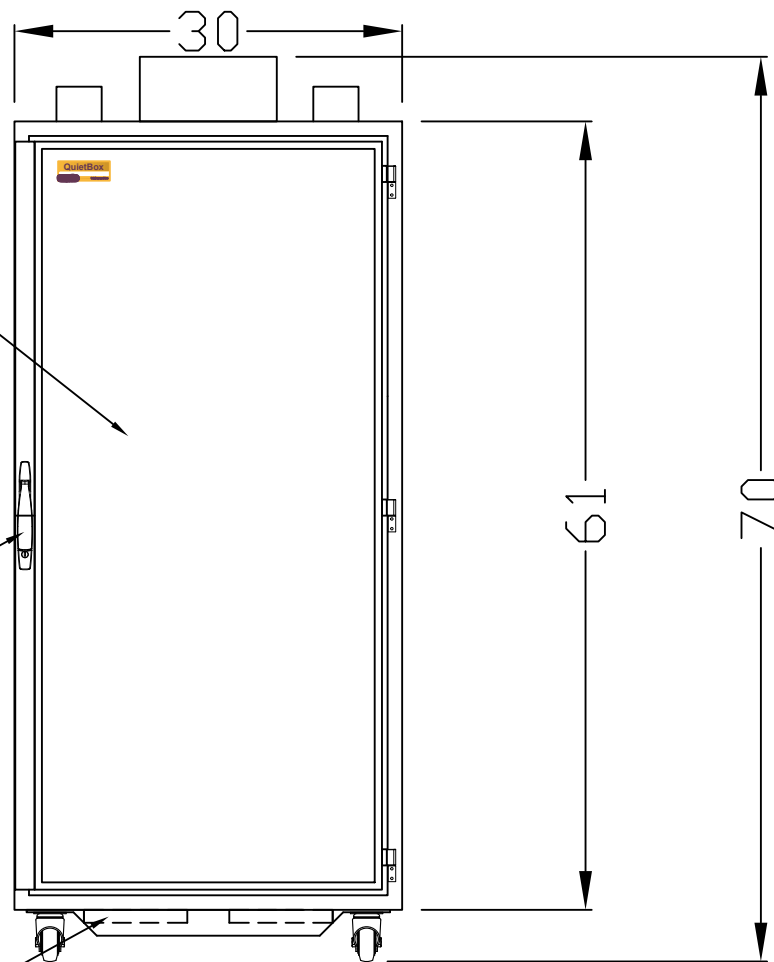
ORION 120V 500
CFM FAN
DA254AP-11-1TB
C/W GARD & DUST
FILTER

10" X 10"
1/8" CELL
HONEYCOMB
VENT



TOP

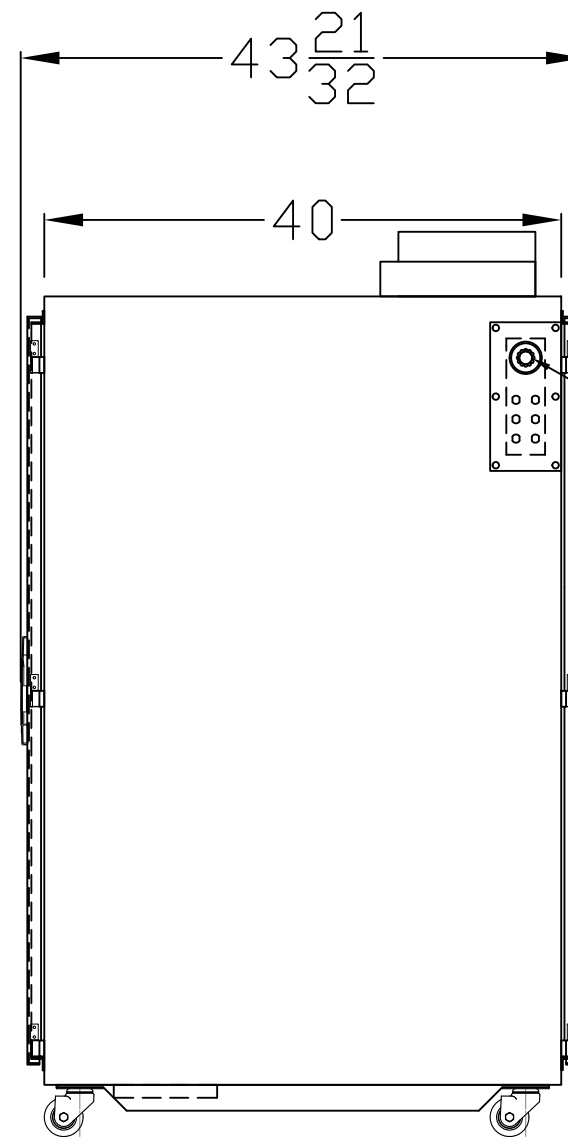
POWDER COAT FINISH
(RAL 7035 OFF WHITE)
ALL EXTERIOR SURFACE



FRONT

LOCKABLE CONCEALED
BAR LATCH

VENT X2



RIGHT

3 X 9 BULKHEAD
WITH OPTIONAL
FEEDTHROUGHS



THIS DRAWING AND DESIGN INCLUDING ALL NOVEL AND PATENTABLE FEATURES SEPARATELY OR COLLECTIVELY DISCLOSED AND INCLUDED HEREIN ARE THE PROPERTY OF RAYMOND RF MEASUREMENTS CORP. ANY REPRODUCTION OF THIS PRINT CONSTITUTES AN AGREEMENT THAT IT WILL BE TREATED AS A CONFIDENTIAL DOCUMENT AND WILL BE USED IN THE ASSEMBLY OR OPERATION OF EQUIPMENT FURNISHED BY RAYMOND RF MEASUREMENTS CORP. THIS DRAWING SHALL NOT BE REPRODUCED, COPIED, LENT, DISCLOSED, PUBLISHED OR DISPOSED OF IN ANY MANNER WITHOUT THE WRITTEN CONSENT OF RAYMOND RF MEASUREMENTS CORP. IT IS SPECIFICALLY FURNISHED EXCEPT AS EXPRESSLY AUTHORIZED IN WRITING BY RAYMOND RF MEASUREMENTS CORP.

DESCRIPTION: QUIETCAB-HF

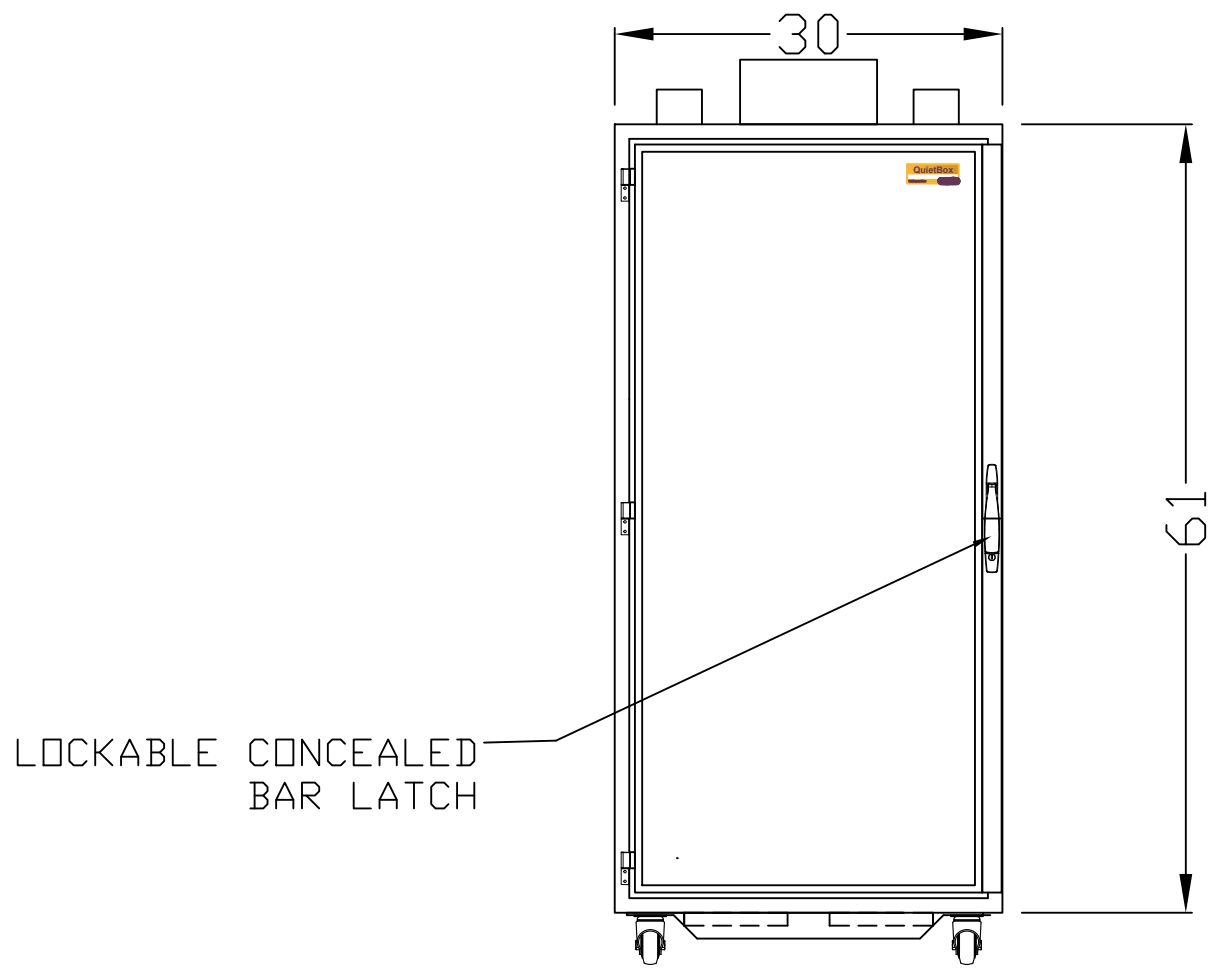
CUSTOMER:

LOCATION: BELLEVUE, VA 98006

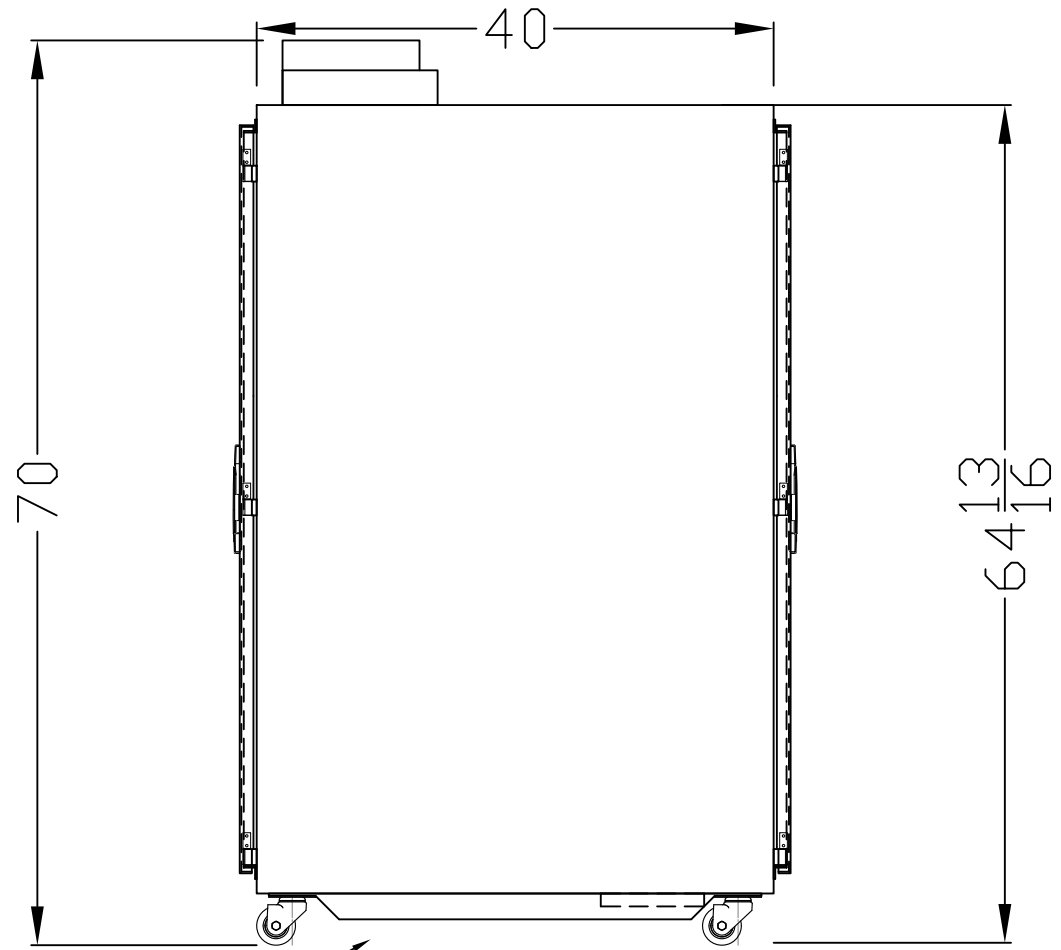
SCALE: N.T.S.

JOB NUMBER
STOCK

0

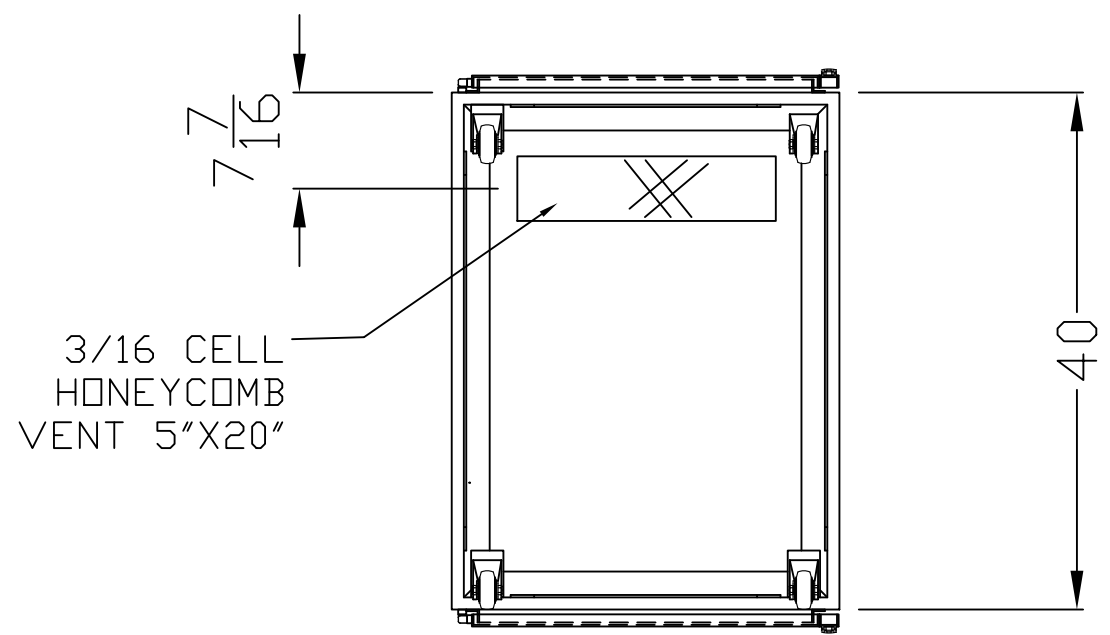


REAR



LEFT

CART FABRICATED FROM 2X2X3/16 ALUMINUM ANGLE



BOTTOM



THIS DRAWING AND DESIGN INCLUDING ALL NOVEL AND PATENTABLE FEATURES SEPARATELY OR COLLECTIVELY DISCLOSED AND INCLUDED HEREIN ARE THE PROPERTY OF RAYMOND RF MEASUREMENTS CORP. ANY REPRODUCTION OF THIS PRINT CONSTITUTES AN AGREEMENT THAT IT WILL BE TREATED AS A CONFIDENTIAL DOCUMENT AND WILL BE USED IN THE ASSEMBLY OR OPERATION OF EQUIPMENT FURNISHED BY RAYMOND RF MEASUREMENTS CORP. THIS DRAWING SHALL NOT BE REPRODUCED, COPIED, LENT, DISCLOSED, PUBLISHED OR DISPOSED OF IN ANY MANNER WITHOUT THE WRITTEN CONSENT OF RAYMOND RF MEASUREMENTS CORP. IT IS SPECIFICALLY FURNISHED EXCEPT AS EXPRESSLY AUTHORIZED IN WRITING BY RAYMOND RF MEASUREMENTS CORP.

DESCRIPTION: QUIETCAB-HF

CUSTOMER:

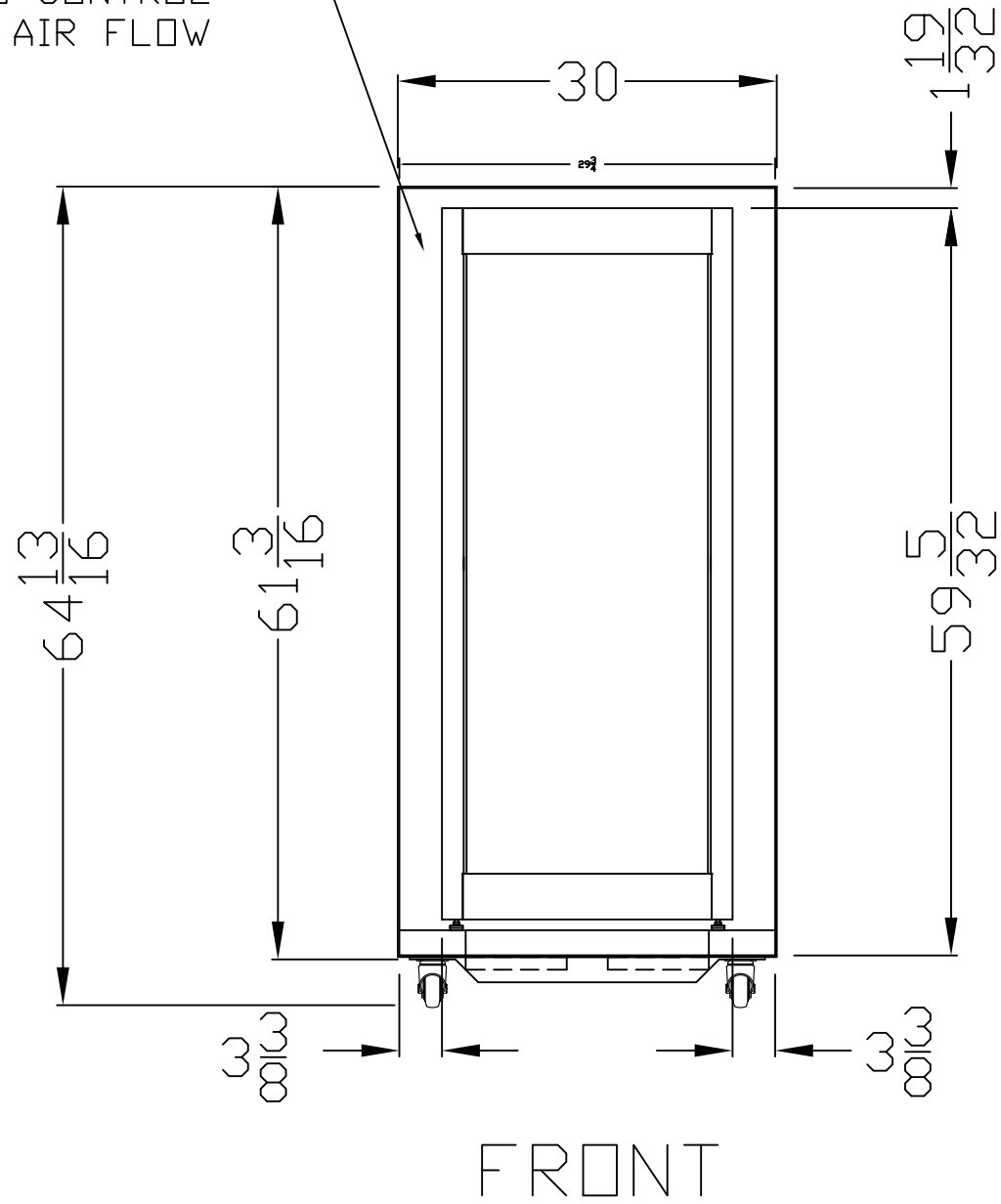
LOCATION: BELLEVUE, VA 98006

SCALE: N.T.S.

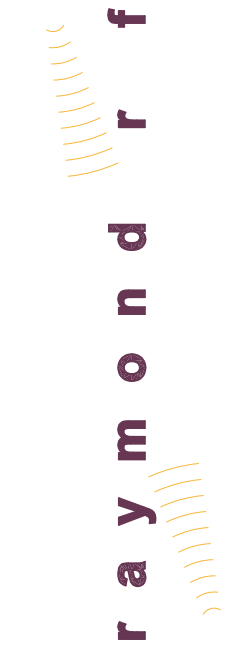
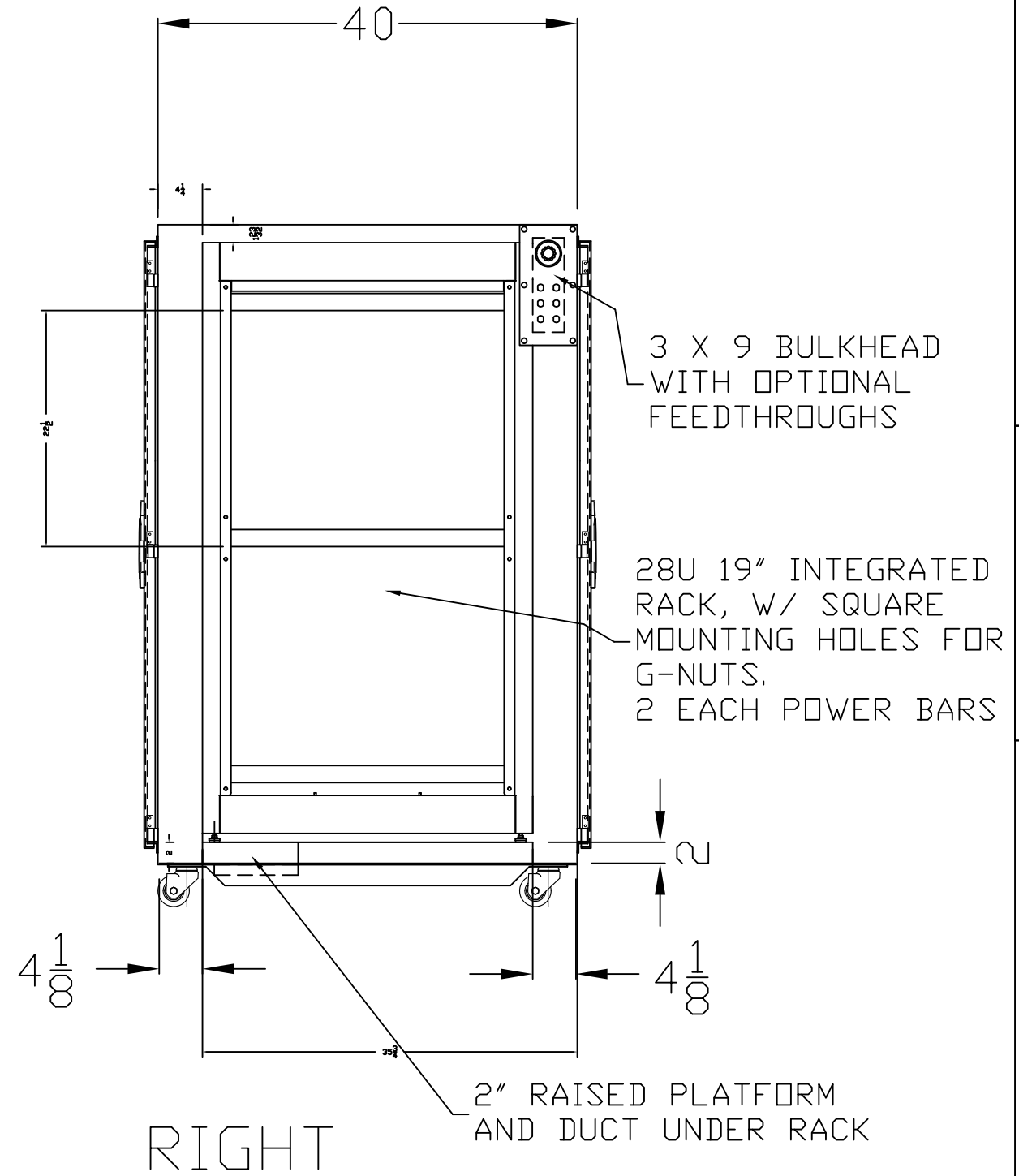
JOB NUMBER STOCK

0

NYLON BRUSH ON FRONT PERIMETER TO CONTROL AIR FLOW



CABINET SECTIONS



THIS DRAWING AND DESIGN INCLUDING ALL NOVEL AND PATENTABLE FEATURES SEPARATELY OR COLLECTIVELY DISCLOSED AND INCLUDED HEREIN ARE THE PROPERTY OF RAYMOND RF MEASUREMENTS CORP. ANY REPRODUCTION OF THIS PRINT CONSTITUTES AN AGREEMENT THAT IT WILL BE TREATED AS A CONFIDENTIAL DOCUMENT AND WILL BE USED IN THE ASSEMBLY OR OPERATION OF EQUIPMENT FURNISHED BY RAYMOND RF MEASUREMENTS CORP. THIS DRAWING SHALL NOT BE REPRODUCED, COPIED, LENT, DISCLOSED, PUBLISHED OR DISPOSED OF IN ANY MANNER WITHOUT THE WRITTEN CONSENT OF RAYMOND RF MEASUREMENTS CORP. IT IS SPECIFICALLY FURNISHED EXCEPT AS EXPRESSLY AUTHORIZED IN WRITING BY RAYMOND RF MEASUREMENTS CORP.

DESCRIPTION: QUIETCAB-HF
 CUSTOMER:
 LOCATION: BELLEVUE, VA 98006

SCALE: N.T.S.

JOB NUMBER STOCK 0