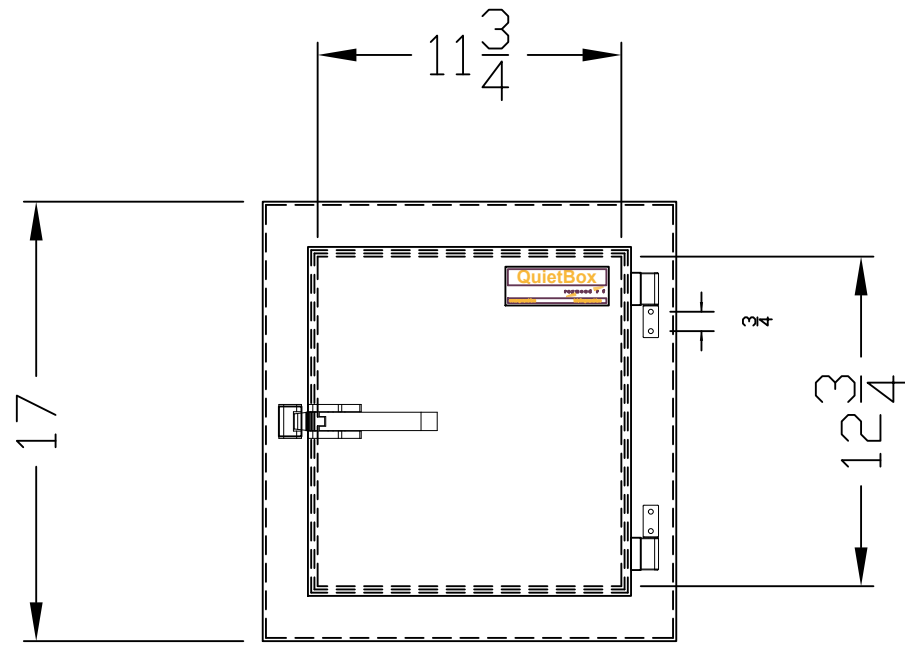
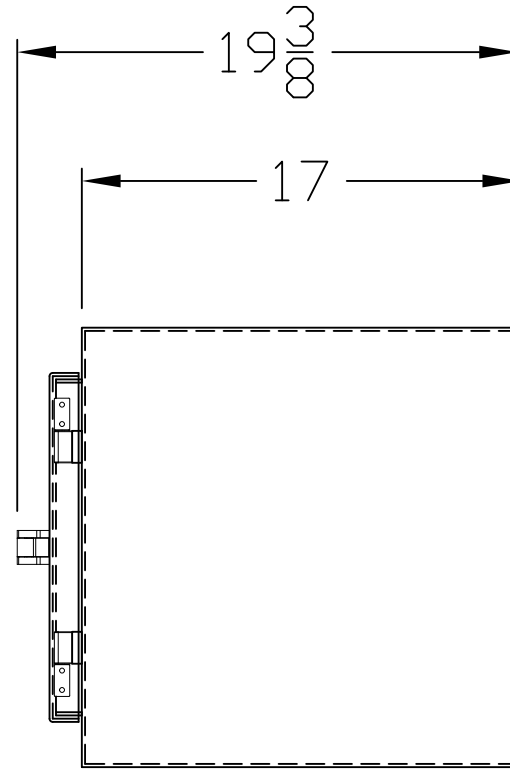


TOP



FRONT



RIGHT

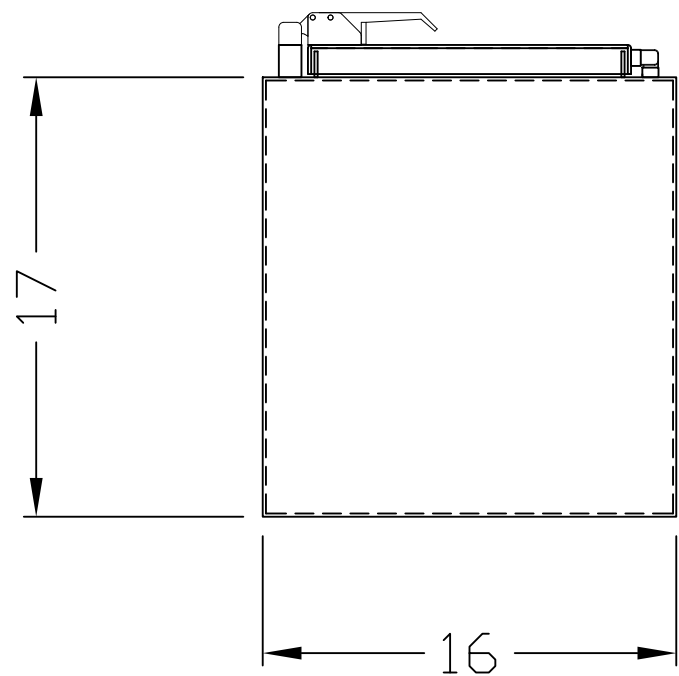
THIS DRAWING AND DESIGN INCLUDING ALL NOVEL AND PATENTABLE FEATURES SEPARATELY OR COLLECTIVELY DISCLOSED AND INCLUDED HEREIN ARE THE PROPERTY OF RAYMOND RF MEASUREMENTS CORP. IN WRITING. THIS PRINT CONSTITUTES AN AGREEMENT THAT IT WILL BE TREATED AS A CONFIDENTIAL DOCUMENT AND WILL BE USED IN THE ASSEMBLY OR OPERATION OF EQUIPMENT FURNISHED BY RAYMOND RF MEASUREMENTS CORP. THIS DRAWING SHALL NOT BE REPRODUCED, COPIED, LENT, DISCLOSED, PUBLISHED OR DISPOSED OF IN ANY MANNER WITHOUT THE WRITTEN CONSENT OF RAYMOND RF MEASUREMENTS CORP. IT IS SPECIFICALLY FURNISHED EXCEPT AS EXPRESSLY AUTHORIZED IN WRITING BY RAYMOND RF MEASUREMENTS CORP.

DESCRIPTION: QUIETBOX-SR
 CUSTOMER: STOCK
 LOCATION: OTTAWA, ONT.

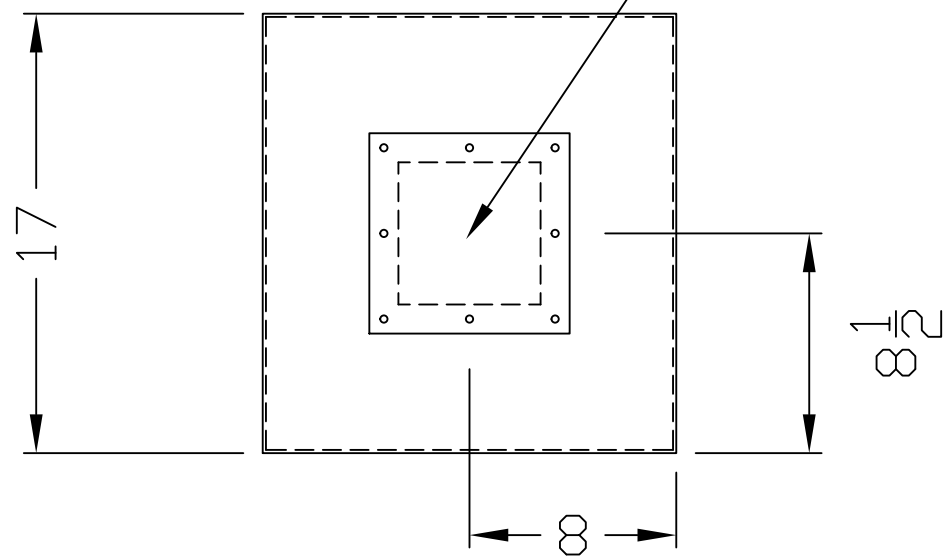
SCALE: N.T.S.

SHEET NUMBER 1	REV.
JOB NUMBER 14-STOCK	0



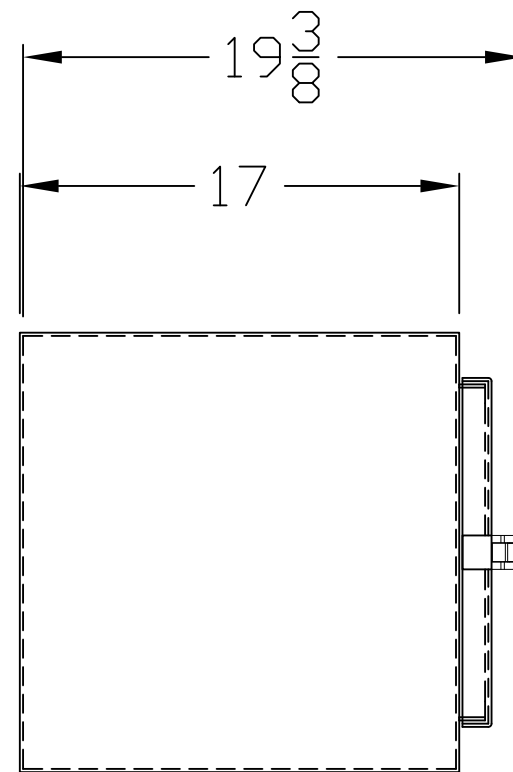


BOTTOM



BACK

SHOWN WITH
OPTIONAL 5.5" X
5.5" BULKHEAD
PANEL



LEFT

THIS DRAWING AND DESIGN INCLUDING ALL NOVEL AND PATENTABLE FEATURES SEPARATELY OR COLLECTIVELY DISCLOSED AND INCLUDED HEREIN ARE THE PROPERTY OF RAYMOND RF MEASUREMENTS CORP. ANY REPRODUCTION OF THIS PRINT CONSTITUTES AN AGREEMENT THAT IT WILL BE TREATED AS A CONFIDENTIAL DOCUMENT AND WILL BE USED IN THE ASSEMBLY OR OPERATION OF EQUIPMENT FURNISHED BY RAYMOND RF MEASUREMENTS CORP. THIS DRAWING SHALL NOT BE REPRODUCED, COPIED, LENT, DISCLOSED, PUBLISHED OR DISPOSED OF IN ANY MANNER WITHOUT THE WRITTEN CONSENT OF RAYMOND RF MEASUREMENTS CORP. IT IS SPECIFICALLY FURNISHED EXCEPT AS EXPRESSLY AUTHORIZED IN WRITING BY RAYMOND RF MEASUREMENTS CORP.

DESCRIPTION: QUIETBOX-SR

CUSTOMER: STOCK

LOCATION: OTTAWA, ONT.

SCALE: N.T.S.

SHEET NUMBER
2

REV.

JOB NUMBER
14-STOCK

0

