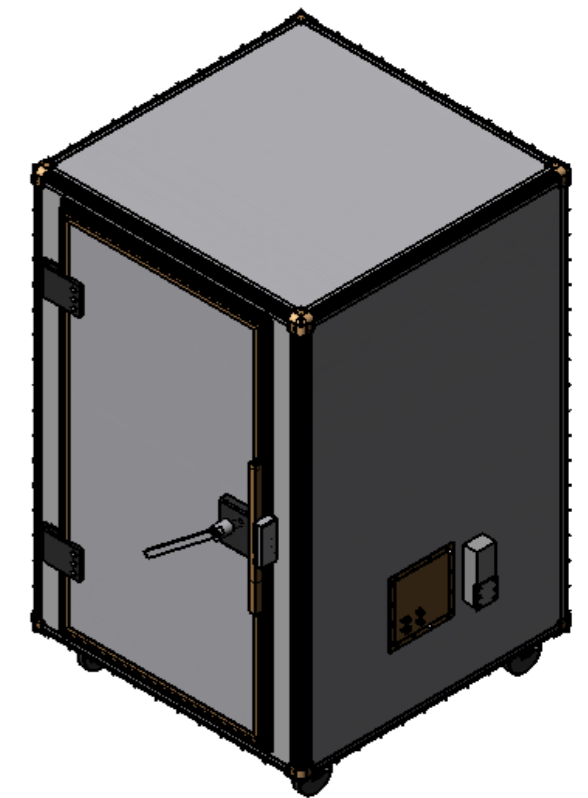
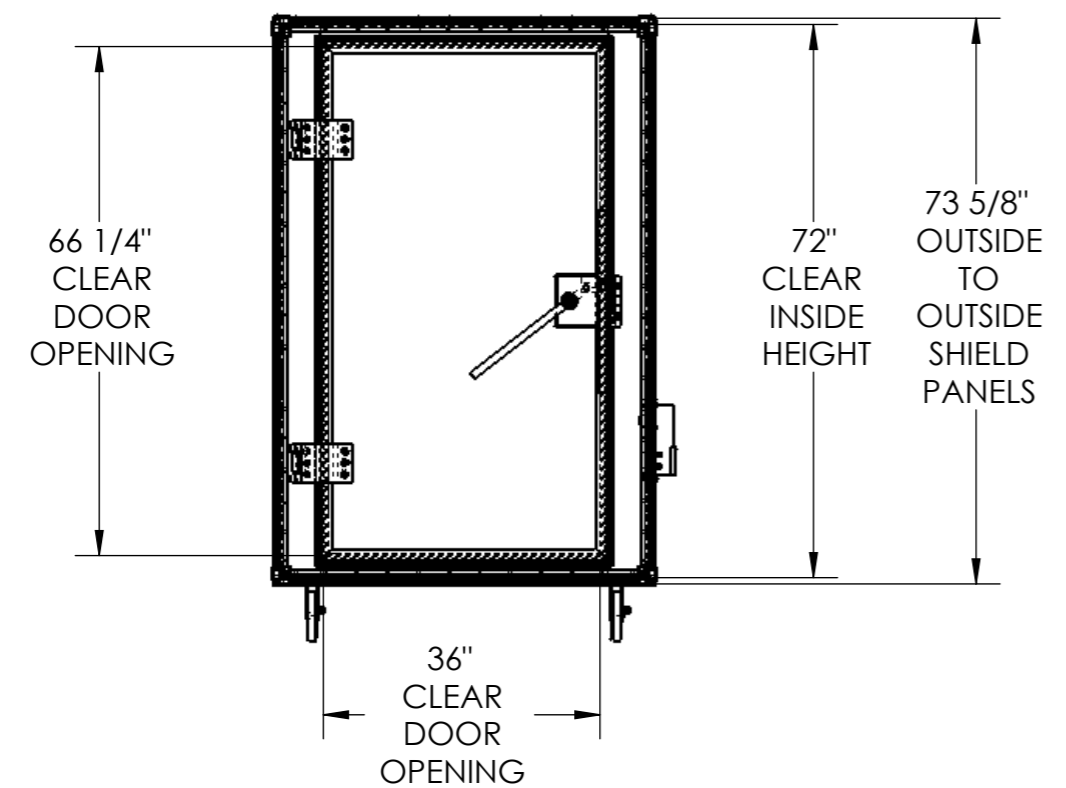


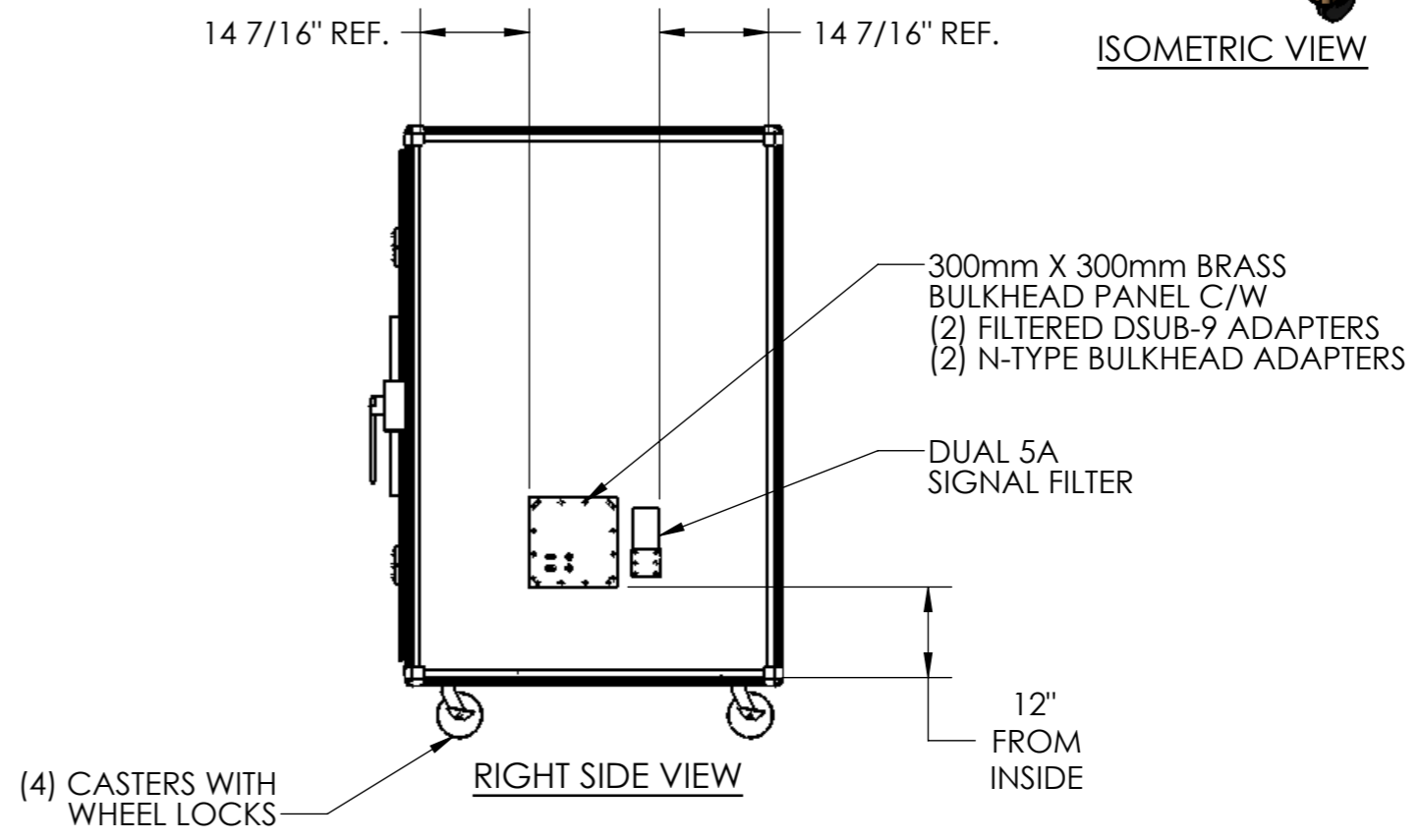
TOP VIEW



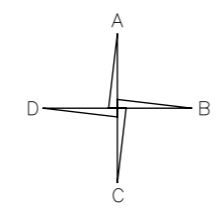
ISOMETRIC VIEW



FRONT VIEW



RIGHT SIDE VIEW



THIS DRAWING AND DESIGN INCLUDING ALL NOVEL AND PATENTABLE FEATURES SEPARATELY OR COLLECTIVELY DISCLOSED AND INCLUDED THEREIN ARE THE PROPERTY OF RAYMOND EMC ENCLOSURES LTD AND ACCEPTANCE OF THIS PRINT CONSTITUTES AN AGREEMENT THAT IT WILL BE TREATED AS A CONFIDENTIAL DOCUMENT AND WILL BE USED IN THE ASSEMBLY OR OPERATION OF EQUIPMENT FURNISHED BY RAYMOND EMC ENCLOSURES LTD. THIS DRAWING SHALL NOT BE REPRODUCED, COPIED, LENT, DISCLOSED, PUBLISHED OR DISPOSED OF DIRECTLY OR INDIRECTLY NOR USED FOR ANY PURPOSE OTHER THAN THAT FOR WHICH IT IS SPECIFICALLY FURNISHED EXCEPT AS EXPRESSLY AUTHORIZED IN WRITING BY RAYMOND EMC ENCLOSURES LTD.

UNLESS OTHERWISE SPECIFIED: DIMENSIONS ARE IN INCHES SURFACE FINISH: TOLERANCES: LINEAR: ANGULAR:		FINISH:	DEBUR AND BREAK SHARP EDGES	DO NOT SCALE DRAWING	REVISION	0																								
<table border="1"> <thead> <tr> <th>NAME</th> <th>SIGNATURE</th> <th>DATE</th> <th></th> </tr> </thead> <tbody> <tr> <td>DRAWN</td> <td>D.E.C.</td> <td>2007/05/09</td> <td></td> </tr> <tr> <td>CHK'D</td> <td></td> <td></td> <td></td> </tr> <tr> <td>APPVD</td> <td></td> <td></td> <td></td> </tr> <tr> <td>MFG</td> <td></td> <td></td> <td></td> </tr> <tr> <td>Q.A.</td> <td></td> <td></td> <td></td> </tr> </tbody> </table>				NAME	SIGNATURE	DATE		DRAWN	D.E.C.	2007/05/09		CHK'D				APPVD				MFG				Q.A.						
NAME	SIGNATURE	DATE																												
DRAWN	D.E.C.	2007/05/09																												
CHK'D																														
APPVD																														
MFG																														
Q.A.																														
				<p>48" X 48" X 72" (INSIDE DIMENSIONS) MODULAR QUIETBOX</p>																										
				<p>DWG NO. FULL ASSEMBLY</p>		A3																								
				<p>SCALE:1:25</p>		SHEET 1 OF 1																								